

VISIX™ V-Series 4MP High-Definition IP Vandal-Dome Camera w/ IR

The VX-4V28-OD-I-02 is 4 Megapixel, indoor/outdoor, dome IP camera. This camera is IK10 vandal resistant, has 120dB WDR and built-in IR making the VX-4V28-OD-I-02 a versatile camera fitting most every entry-level indoor/outdoor installation requirements.

As part of the V-Series line of cameras, the VX-4V28-OD-I-02 has onboard storage and the ability to have VIGIL Server installed on the camera. This can make the camera a standalone recording device, allowing storage on the camera as well as redundant recording to a VIGIL Server. As a standalone camera, the VX-4V28-OD-I-02 is compatible with the entire VIGIL Software Suite, including direct access through VIGIL Client and our mobile app View Lite II, as well as with VIGIL Central Management for remote health monitoring and notification.

The VX-4V28-OD-I-02 also supports dual streaming. This combined with VIGIL Server's Substream Motion Detection and RapidStream technologies allows the camera to be viewed remotely in both live and playback modes with minimal impact on your network.



Key Features and Benefits	
Lens	2.8mm Fixed
Resolution (Megapixels)	4
2688x 1520 Resolution	✓
Angle of View 103°	✓
Infrared (Low-Light, No-Light)	✓
H.264/H.264+/H.265/H.265+/MJPEG	✓
Digital Wide Dynamic Range	✓
IK10 Impact-Resistant (Vandal-Proof Camera)	✓
IP67 Weather-Resistant (Outdoor Camera)	✓
V-Series (VIGIL Embedded)	+
3 Year Warranty	✓

+ Optional Part

CAMERA

Image Sensor:	1/3 inch Progressive Scan CMOS
Lens:	2.8mm, F2.0 Angle of View: 103°
Min. Illumination:	0.01Lux @ (F1.2, AGC ON), 0 Lux with IR
IR Range:	30 Meters
Angle Adjustment:	Pan: 0° - 355°; Tilt: 0° - 75°
Shutter Time:	1/3s to 1/10,000s
Day/Night:	Infrared Cut Filter with Auto Switch
Wide Dynamic Range:	Yes; 120dB

COMPRESSION STANDARD

Video Compression:	H.264/H.264+/H.265/H.265+/MJPEG
Bit Rate:	32 Kbps - 16 Mbps
Dual Stream:	Yes

IMAGE

Max. Image Resolution:	2688(H) x 1520(V)
Frame Rate:	20 fps (2688 x 1520) 30 fps (1920 x 1080), (1280 x 720)

FUNCTIONS

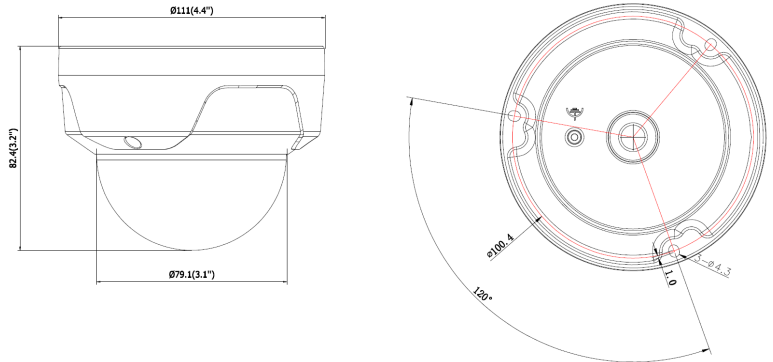
Alarm Triggers:	Motion Detection, Video Tampering, Network Dis Connected, Ip Address Conflict, Illegal Login, HDD Full, HDD Error
Local Storage:	Built-in SD/SDHC/SDXC Card slot, up to 128GB
Security:	One-Key Reset, Anti-Flicker, Three Streams, Heartbeat, Mirror, Password Protection, Privacy Mask, Watermark, IP Address Filter
Protocols:	TCP/IP, ICMP, HTTP, HTTPS, FTP, DHCP, DNS, DDNS, RTP, RTSP, RTCP, PPPoE, NTP, UPnP™, SMTP, SNMP, IGMP, 802.1X, QoS, IPv6, Bonjour
System Compatibility:	ONVIF (PROFILE S, PROFILE G), ISAPI

PHYSICAL

Operating Conditions:	-30°C - 60°C (-22°F - 140°F); Humidity 95% or Less (non-condensing)
Impact Protection:	IEC60068-275Eh, 20J, EN50102, up to IK10
Weather Resistant:	IP67
Dimensions:	Ø4.4" x 3.2" (H) Ø111mm x 82.4mm (H)
Weight:	1.3 lbs. / 610 g

ELECTRICAL

Power Supply:	12 VDC, 0.5 A, max. 6 W PoE (802.3af, 36 V to 57 V)
Power Consumption:	Max 7.5 W



Unit: mm (inch)



INTERFACE

Communication:	1 RJ45 10M/100M Ethernet Port
-----------------------	-------------------------------

WARRANTY

Three (3) Year Return to Depot Parts and Labor Warranty

CERTIFICATIONS

CE, FCC, UL, ULC

PART NUMBER

VX-4V28-OD-I-02:	4MP Outdoor IP Dome Camera with IR
-S64	VIGIL Server Stand-Alone Software License with 64GB SD Storage
-S128	VIGIL Server Stand-Alone Software License with 128GB SD Storage

RECOMMENDED MOUNTS

VX-PM-OD:	Pendant Mount Adaptor
VX-WM-OD:	Wall Mount Adaptor
VX-POLE:	Pole Mount Adaptor
VX-CM:	Corner Mount Adaptor

Stand-Alone Server features can easily be added to the camera after installation. Contact your 3xLOGIC Representative for details.