

PRODUCT SUMMARY | Small Business Package | V250-4-SMBK(-4B/-4D), V250-8-SMBK (-4B4D/-8B/-8D)

3xLOGIC Small Business Surveillance Package

Featuring a 4 or 8 channel system with bullet and/or dome cameras, the 3xLOGIC Small Business Surveillance Package provides an affordable, professional grade surveillance system perfect for small businesses. Designed for maximum value and ease of use, the Small Business Package includes all the features and capabilities a business owner needs for security and peace of mind:

- High Definition Video (2MP - 1080p)
- Anytime, Anywhere Viewing with 3xLOGIC's FREE View
- Lite II Mobile App
- Motion-Activated Recording with Push Notifications
- IP67 Indoor/Outdoor Rated Cameras
- Event/Tamper Alerts
- Large Storage Capacity and Easy Video Review



V250-4-SMBK-4B



V250-4-SMBK-4D



V250-8-SMBK-4B4D
V250-8-SMBK-8B
V250-8-SMBK-8D

What's Included

- 4 Channel NVR with pre-installed
- 2TB HDD
- (4) 2MP Indoor/Outdoor Bullet Cameras
- Mouse
- Keyboard
- Quick Setup Guides

What's Included

- 4 Channel NVR with pre-installed
- 2TB HDD
- (4) 2MP Indoor/Outdoor Dome Cameras
- Mouse
- Keyboard
- Quick Setup Guides

What's Included

- 8 Channel NVR with pre-installed
- 2TB HDD
- (4/8) 2MP Indoor/Outdoor Dome Cameras
- (4/8) 2MP Indoor/Outdoor Bullet Cameras
- Mouse
- Keyboard
- Quick Setup Guides

VIGIL V250 Series NVR



V250 Product Overview

VIGIL™ V250 Series Network Video Recorders (NVR) are fully-integrated intelligent video appliances. Pre-configured with VIGIL Video Management System (VMS) software, these 1U NVRs represent a cost-effective video management platform that provides all the key functionality of VIGIL VMS with unrivaled ease of setup.



*V250-8-2TB Pictured Above

Single Solution

The V250 design provides all the network components required to deploy your VMS. Not only are alarm, serial, and audio inputs built-in, this series includes 4 or 8 embedded PoE ports for your IP devices.

Your Video - Anytime, Anywhere

VIGIL's exclusive MULTIVIEW Technology and its revolutionary RapidStream™ video compression engine, enable users to remotely stream and view high-definition video with minimal impact on network bandwidth.

Integrates with Your Business

Monitor your business with an integration to a wide variety of data sources including Point-of-Sale, ATM, access control, alarms, and audio devices. This data can be tied to video, made searchable, and generate alarms based on specific criteria.

Extensive Additional Features

VIGIL™ V250 Series NVRs feature many built-in capabilities. With two-way audio, easy-to-use Smart Search, and seamless integration to the V-Series VISIX™ camera line for video analytics you have the information you need, at your fingertips.

Setup and Deployment Made Easy

Designed for simple setup, the V250 Series includes a setup wizard to allow those with no IP video experience to set up their DVR and start recording and viewing video. The wizard also provides plug-and-play capability with VISIX™ and ONVIF-S cameras for easy deployment. The V250 also includes VIGIL Connect and our easy-to-use QR code for easy setup of remote viewing.

Key Features

- Highly-efficient, versatile 1U chassis – can be used as a rack-mount or desktop
- Pre-configured with 3xLOGIC’s renowned VIGIL™ (VMS) Software
- Up to 6 TB of storage
- Microsoft Windows Embedded 7 Standard Operating System
- 1 x dedicated RJ45 10M / 100M / 1000 Mbps NIC for easy network deployment
- 4/8 x dedicated RJ45 10M / 100Mbps PoE ports for network IP devices
- 1 x RS-232 serial port for external communications
- 3 x 2.0 USB ports
- 1 x 3.0 USB port
- 4 - Alarm In / 2 - Alarm Out
- HDMI and VGA Video Output (cannot operate both simultaneously)

Part Numbers

MODEL	DESCRIPTION
V250-4-2TB	V250 Series appliance with 2TB video storage, 4 port PoE switch built-in and 4 IP camera licenses
V250-8-2TB	V250 Series appliance with 2TB video storage, 8 port PoE switch built-in and 8 IP camera licenses

Optional Components

PART NUMBER	DESCRIPTION
VGL-SW-SVR-POS	VIGIL Server POS License, single (1) server, multi point-of-sale terminals
VGL-SW-SVR-PANA	VIGIL Server 360 Dewarping License, single (1) camera

SERVER

Memory:	V250-4-2TB: 2GB V250-8-4TB: 4GB
Video Output:	1, HDMI (1920x1080) 1, VGA (1920x1080)
Keyboard and Mouse:	Included
CPU:	Intel Celeron @2.0 GHz

STORAGE

Storage Capacity:	V250-4-2TB: 2TB (6TB Max) V250-8-2TB: 2TB (6TB Max)
Drive Type:	3.5" SATA HDD
Hard Drive Weight:	2TB: 1.35lb 4TB: 1.5lb

IP CAMERA SUPPORT

Camera Inputs:	V250-4-2TB: 4 channels V250-8-2TB: 8 channels
----------------	--

AUDIO SUPPORT

Audio in/out:	1, 1/8" audio jack in 1, 1/8" audio jack out
---------------	---

EXTERNAL INTERFACE

Network Interface:	1, RJ45 10M/100M/1000Mbps self-adaptive ethernet interface
Camera Interface:	4/8 dependent on model, RJ45 10M/100Mbps self-adaptive ethernet interface, support PoE power supply
USB Interface:	3, USB 2.0 1, USB 3.0
Serial Interface:	1, RS-232
Alarm Interface:	4, Alarm Input 2, Alarm Output

MONITOR OUTPUTS

1 HDMI, 1 VGA (Cannot Operate Both Simultaneously)
--

PRE-LOADED SOFTWARE

Video Management:	VIGIL Video Management Systems (VMS) Software
Operating System:	Microsoft Windows 7 Embedded

ENVIRONMENTAL

Operating Temperature:	32° to 113° Fahrenheit / 0° to 45° Celsius
------------------------	--

WARRANTY

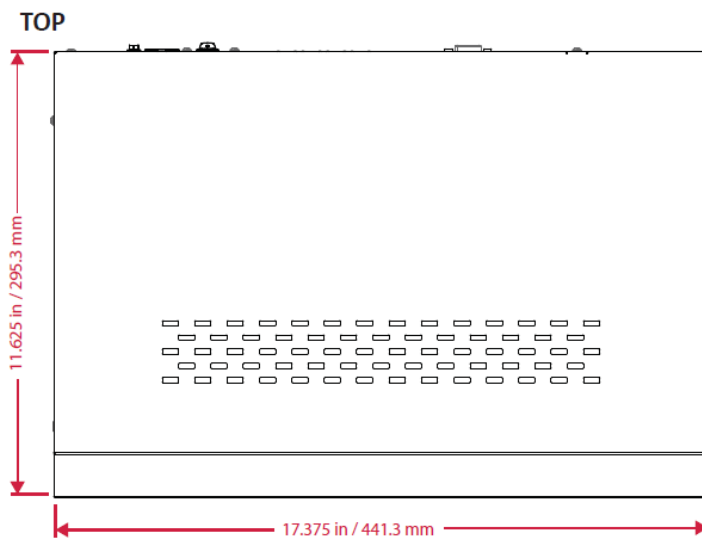
Hardware Warranty:	3 years
Software Subscription:	3 Years (included)

ELECTRICAL

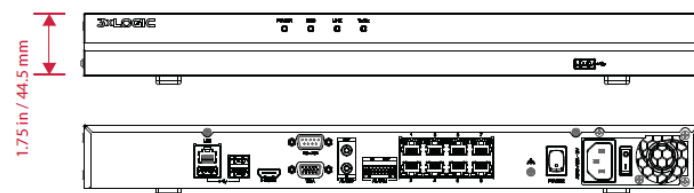
Voltage:	48VDC; 2.5A
Power Rating:	190 W Max

PHYSICAL

Weight Excluding Hard Drives (lbs/kg):	4.4 lbs / 2 kg
Dimensions:	1U
Width (inches/cm):	17.375 in. / 441.3 mm
Depth (inches/cm):	11.625 in. / 295.3 mm
Height (inches/cm):	1.75 in. / 44.5 mm



FRONT/BACK



S-Series 2MP Indoor/Outdoor Infrared Network Bullet Camera

This 2-megapixel indoor/outdoor IP camera from 3xLOGIC was engineered to provide high-definition video in changing or challenging lighting conditions. With its active IR sensors and infrared cut filter, this camera excels in low-light situations. The camera provides dual-streaming high-definition video at a full 1920 x 1080 pixels for video surveillance applications requiring superior clarity and image detail.

The VX-SMBK-B is packed with all the features you might need for nearly any application including low-light day/night functionality; IP66 Weather-Resistance and compatibility with a wide variety of standardized network protocols.

This aesthetically-pleasing mini-bullet camera allows unobtrusive and easy installation in a wide variety of areas. In addition, this camera is designed to continue functioning at top performance at temperatures as low as -30°C (-22°F) and as high as 60°C (140°F) allowing a wide range of applications. Comes standard with a 4mm lens providing support for most applications. The progressive scan image sensor delivers excellent image quality in challenging and ever-changing lighting conditions.

Dual-streaming compression permits recording at the highest quality while allowing fast live viewing from anywhere in the world regardless of available bandwidth. In addition, with full support for both variable bit rate and variable frame rate, the quality of each stream can be matched to available bandwidth for the most effective video quality possible.

When coupled with the VIGIL Series of digital video recorders and Video Management System (VMS) software from 3xLOGIC, superior point-to-point hardware compression and decompression allows for maximum performance of streamed live video providing better video quality, more concurrent streams and a lower overall hit to CPU performance.



Key Features and Benefits	
Lens	4 mm
Resolution (Megapixels)	2 MP (1920 x 1080)
Angle of View 85°	✓
Infrared (Low-Light, No-Light)	✓
H.264/MJPEG	✓
Digital Wide Dynamic Range	✓
IP66 Weather-Resistant	✓
3 Year Warranty	✓

CAMERA

Image Sensor:	1/2.8 inch Progressive Scan CMOS
Lens:	4 mm @ F2.0, angle of view: 85°
Min. Illumination:	0.028 Lux @ (F2.0, AGC on), 0 Lux with IR
IR Range:	98 ft (30 m)
Day/Night:	IR cut filter with auto switch
Shutter Times:	1/3 seconds to 1/100,000 seconds
Wide Dynamic Range:	Yes, Digital
Backlight Compensation:	Yes, Zone Optional

COMPRESSION STANDARD

Video Compression:	H.264, MJPEG
Bit Rate:	32 Kbps - 8 Mbps
Dual Streams:	Yes

IMAGE

Max. Image Resolution:	1920(H) x 1080(V)
Frame Rate:	30 fps 1920 x 1080, 1280 x 960, 1280 x 720

FUNCTIONS

Security:	User Authentication, Watermark
Protocols:	TCP/IP, HTTP, HTTPS, FTP, DHCP, DNS, DDNS, PPPoE, RTP, RTSP, RTCP, RTP, TCP, SMTP, SNMP, ICMP, IGMP, UPnP, 802.1X, IPv6, Bonjour, QoS
System Compatibility:	ONVIF (S-Profile), PSIA, CGI, ISAPI

PHYSICAL

Working Temperature:	-30°C ~ 60°C (-22°F ~ 140°F) Humidity: 95% max - non-condensing
Weather Resistance:	IP66
Dimensions (inches):	2.4 x 3.0 x 5.5
Dimensions (mm):	60.4 x 76.9 x 139.28
Weight:	1.1 lbs / 500 g

ELECTRICAL

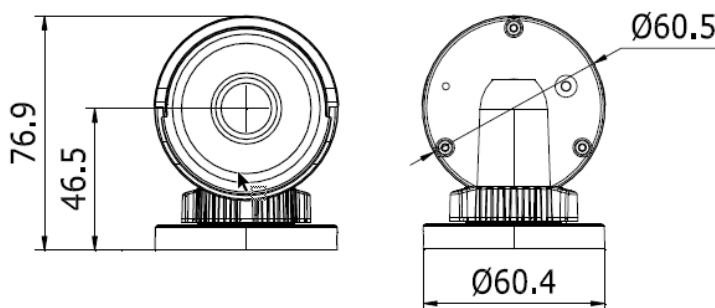
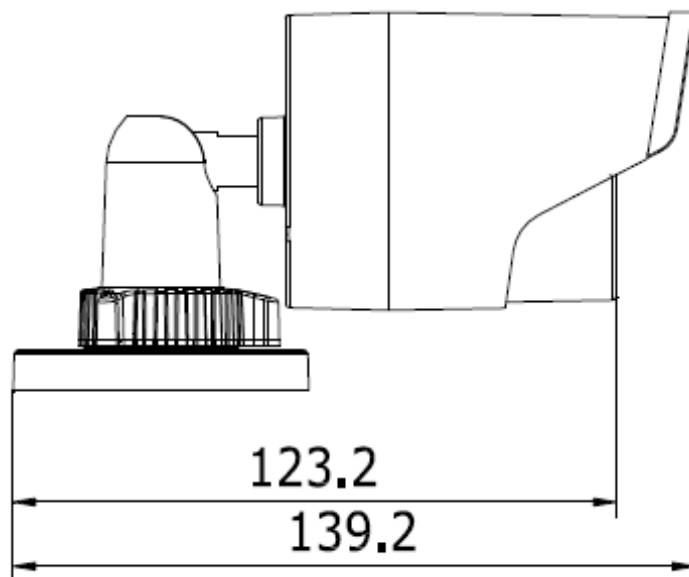
Power Supply:	12V DC ± 10%, PoE (802.3af)
Power Consumption:	7W Max

INTERFACE

Communication:	1 RJ45 10M/100M Ethernet port
----------------	-------------------------------

CERTIFICATIONS

CE, UL	
--------	--



WARRANTY

Three (3) Year Parts and In-house Labor Warranty

PART NUMBERS

VX-SMBK-D: 2MP Indoor/Outdoor Network Dome Camera

S-Series 2MP Indoor/Outdoor Network Dome Camera

This infrared two (2) megapixel IP camera is the perfect combination of form and function providing high-definition video for network video surveillance applications requiring superior clarity and detail in varying lighting conditions.

The VX-SMBK-D-01 is packed with all the features you might need for nearly any application including: lowlight day/night functionality; IP67 weather-resistance and compatibility with a wide variety of standardized network protocols.

The convenient and aesthetically pleasing dome camera format allows for easy installation in a wide variety of areas. In addition, this camera is designed to continue functioning at top performance at temperatures as low as -30°C (-22°F) and as high as 60°C (140°F) allowing a wide range of applications.

Dual streaming allows recording at the highest quality while allowing fast live viewing from anywhere in the world regardless of available bandwidth. In addition, with full support for both variable bit rate and variable frame rate, the quality of each stream can be matched to available bandwidth for the most effective video quality possible.

When coupled with the VIGIL Series of digital video recorders and Video Management System (VMS) software, superior point-to-point hardware compression and decompression allows for maximum performance of streamed live video providing better video quality, more concurrent streams and a lower overall hit to CPU performance.



Key Features and Benefits	
Lens	4 mm
Resolution (Megapixels)	2 MP (1920 x 1080)
Angle of View 86°	✓
Infrared (Low-Light, No-Light)	✓
H.265/H.264/MJPEG	✓
Digital Wide Dynamic Range	✓
IP67 Weather-Resistant	✓
3 Year Warranty	✓

CAMERA

Image Sensor:	1/2.8 inch Progressive Scan CMOS
Lens:	4 mm @ F2.0, angle of view: 86°
Min. Illumination:	0.028 Lux @ (F2.0, AGC on), 0 Lux with IR
IR Range:	98 ft (30 m)
Day/Night:	IR cut filter with auto switch
Shutter Times:	1/3 seconds to 1/100,000 seconds
Wide Dynamic Range:	120dB

COMPRESSION STANDARD

Video Compression:	H.265, H.264, MJPEG
Bit Rate:	32 Kbps - 8 Mbps
Dual Streams:	Yes

IMAGE

Max. Image Resolution:	1920(H) x 1080(V)
Frame Rate:	30 fps 1920 x 1080, 1280 x 960, 1280 x 720

FUNCTIONS

Security:	Password protection, Watermark
Protocols:	TCP/IP, ICMP, HTTP, HTTPS, FTP, DHCP, DNS, DDNS, RTP, RTSP, RTCP, PPPoE, NTP, UPnP, SMTP, SNMP, IGMP, 802.1X, QoS, IPv6, UDP, Bonjour
System Compatibility:	ONVIF(PROFILE S,PROFILE G),ISAPI

PHYSICAL

Working Temperature:	-30°C - 60°C (-22°F - 140°F) Humidity: 95% max - non condensing
Weather Resistance:	IP67
Dimensions (inches):	4.4" x 3.2"
Dimensions (mm):	111 x 82.4
Weight:	1.1 lbs / 497 g

ELECTRICAL

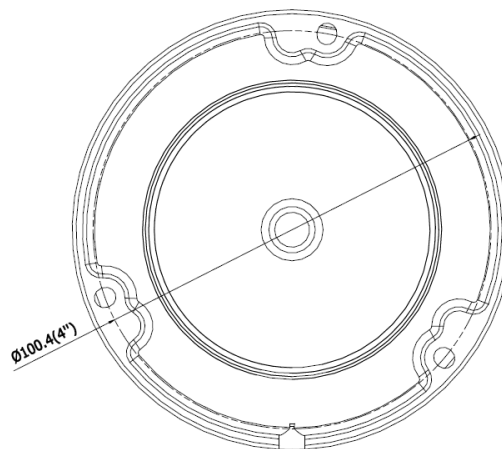
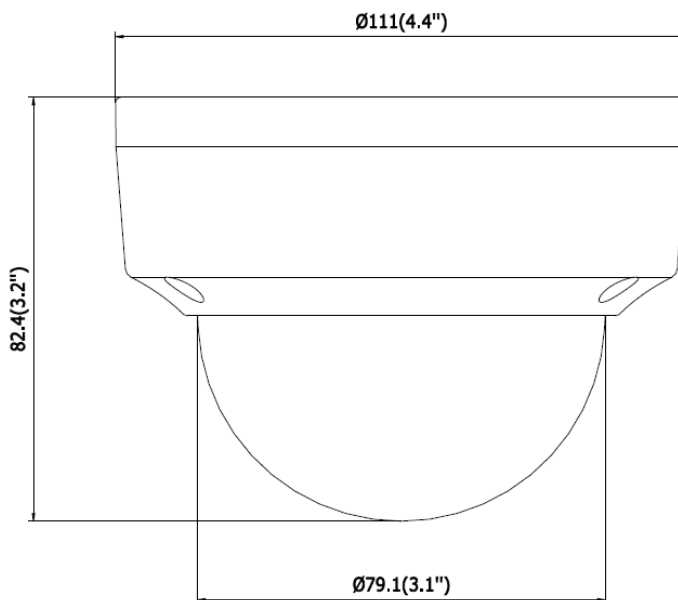
Power Supply:	12V DC ± 25%, PoE (802.3af, class 3)
Power Consumption:	PoE: (802.3af, 36V-57V), 0.2 A to 0.1 A, max. 6.5W 12 VDC, 0.4 A, max. 5W

INTERFACE

Communication:	1 RJ45 10M/100M Ethernet port
----------------	-------------------------------

CERTIFICATIONS

CE, UL	
--------	--



WARRANTY

Three (3) Year Parts and In-house Labor Warranty

PART NUMBERS

VX-SMBK-D-01:	2MP Indoor/Outdoor Network Dome Camera
---------------	--

OPTIONS

VX-PM-OD:	Pendant Mount Bracket
VX-WM-OD:	Wall Mount Bracket