

VISIX™ V-Series 2MP Exterior Dome

The VX-2AD3B-IWD is a fully functional indoor/outdoor IP camera with advanced analytics capabilities. These cameras can be connected to a DVR or act as a standalone recording device.

The exterior dome offers high-definition video at full 1920 x 1080 resolution for both indoor and outdoor video surveillance applications which require superior clarity and detail. Its many features include; dual-streaming of either H.264 or MJPEG compression; wide dynamic range; Micro SD card slot for local recording; IP66 weather resistant construction and IR illumination.

The embedded analytics use algorithms that automatically self-adjust, allowing the user to concentrate on the detection rules. This greatly simplifies the analytic process, requiring only a few mouse clicks to configure a detection rule. These advanced analytics allow for object classification, direction, people counting, dwell times, and occupancy counts.

When enabled, the embedded VIGIL Server software allows the camera to be run as a stand-alone device recording video to the onboard memory card. This makes the camera compatible with the existing 3xLOGIC software suite including VIGIL Client, VIGIL VCM, VIGIL Mobile and VIGIL Cloud applications. Simple plug and play installation allows for access using a standard web browser, VIGIL Client, or set it up on your mobile device or tablet using our easy to use QR code quick setup.



Key Features and Benefits	
Resolution	2 MP (1920 x 1080)
Frame Rate	30 fps
Compression	H.264/MJPEG
Lens	4mm
Remote Focus	No
WDR	Digital
On-Camera Storage	+
Built-in IR	up to 10 m
Standard Analytics	✓
Advanced Analytics	+
Outdoor	IP66
ONVIF/PSIA Compliant	Profile S
Warranty	3-Year

+ Optional Component

CAMERA

Image Sensor:	1/2.9" Progressive Scan CMOS
Lens:	4.0mm @ F1.8
Min. Illumination:	0.5 Lux with color 0 lux with IR
Auto Iris:	DC drive
Day/Night:	IR cut filter with auto switch
Wide Dynamic Range:	Yes, Digital
IR Range:	Up to 10 meters
Shutter Times:	1/10/10,000s to 1/2s
Angle Adjustment:	Horizontal: Approx 86°, Vertical: Approx 51°

COMPRESSION STANDARD

Video Compression:	H.264/MJPEG
Dual Streams:	Yes

IMAGE

Max. Image Resolution:	1920 x 1080
Frame Rate:	30 fps Max in all resolutions (H.264 or MJPEG)
Image Orientation:	Flip / Mirror / Corridor Mode (-90°, +90°)

FUNCTIONS

Local Storage:	Built-in Micro SD (SD/SDHC/SDXC) 64GB (Optional)
Security:	Multi level access with password protection
Protocols:	HTTP, Qos Layer 3 DiffServ, TCP/IP, HTTP, HTTPS, FTP, UDP/IP, RTSP, RTCP, RTP/UDP, RTP/TCP, mDNS, UPnP, SMTP, DHCP, DNS, DDNS, NTP, IPv4, SNMPv1/v2c/v3(MIB-II), IGMP, ICMP
System Compatibility:	ONVIF Profile S, G

PHYSICAL

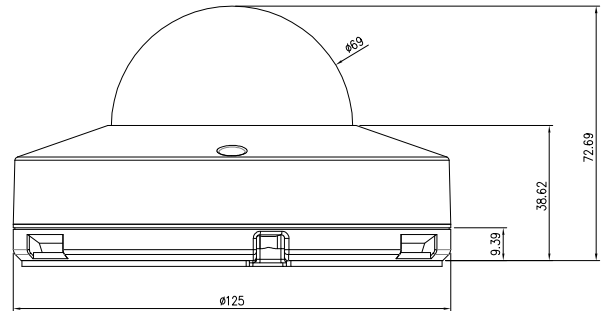
Working Temperature:	-20°C ~ 50°C (-4°F ~ 122°F)
Humidity:	85% max - non condensing
Weather Protection:	IP66
Dimensions (inches):	4.9 in ϕ x 2.9 (H) in, Dome 2.6 in ϕ
Dimensions (mm):	125 mm ϕ x 74.5(H) mm, Dome 65 mm ϕ
Weight:	1 lb / 455 g

ELECTRICAL

Power Supply:	12V DC; PoE (IEEE 802.3af)
Power Consumption:	5W Max

INTERFACE

Communication:	1 RJ45 10M/100M Ethernet port
----------------	-------------------------------



CERTIFICATES

KC, FCC, CE, ROHS, UL, ULC

STANDARD ANALYTICS (INCLUDED)

- Detection Zones: Multi-segment Polygons and Lines
- On-screen Display: Real-time Display of Tracking
- Image stabilization
- Change of Scene Detection

ADVANCED ANALYTICS (OPTIONAL)

- Size-based Object Classification
- Detection Behavior; Direction, Stopping, Loitering
- Entering, Exiting, Appear, and Disappear Filters
- Speed Filters

WARRANTY

Three (3) Year Parts and In-house Labor Warranty

PART NUMBERS

VX-2AD3B-IWD:	2MP IP Dome Camera with Standard Analytics
-S	VIGIL Server Stand-Alone Software License with 64GB SD Storage, Includes Basic Relay Server Service
-AS	Analytics License and Server Stand-Alone License
-A	Advanced Video Analytics

OPTIONS

VX-2AD-WM:	Wall Mount Bracket
VX-2AD-CM:	Ceiling Mount Bracket
VX-2AD-GB:	Gang Box Adapter
VX-2AD-PMCB:	Pendant Mount Cap

The Advanced Analytics and Stand-Alone Server features can also easily be added to the camera after installation. Contact your 3xLOGIC Representative for further details.