

# VERA THERMAL CAMERA



## VISIX™ VERA Thermal Camera

The VERA thermal camera allows you to see where you never could before. When using high-contrast thermal imaging the results are a dramatic reduction in false alarms. Unlike standard thermal cameras, VERA provides the advantage of verification and detection in an all-in-one device. This tiny but powerful thermal camera is not affected by changes in lighting, low-contrast scenes or inclement weather, and no illumination is required. Easy setup and integration using our QR code makes this a perfect camera for any application.

The embedded analytics use algorithms that automatically self-adjust, allowing the user to concentrate on the detection rules. This greatly simplifies the analytic setup process, requiring only a few mouse clicks to configure a detection rule. These advanced analytics, coupled with thermal technology allow for object classification, direction, people counting, dwell times, video alarm verification, retail traffic flow, queue management and occupancy counts.

When enabled, the embedded VIGIL Server software allows the camera to be run as a stand-alone device recording video to the on-board memory card. This makes the camera compatible with the VIGIL Software Suite including VIGIL Client, VIGIL VCM, View Lite II and VIGIL Cloud applications. Simple plug-and-play installation allows for access using a standard web browser, VIGIL Client, or your mobile device or tablet using our easy to use QR code quick setup.



Key Features and Benefits	
Array Size	206x156
Frame Rate	7 fps (320x240)
Compression	H.264/MJPEG
Lens	6.8mm Fixed (VX-VT-20) 4mm Fixed (VX-VT-36)
On-board Storage	+
Standard Analytics	✓
Advanced Analytics	+
Two-Way Audio	✓
Alarm Input/Output	1/2
Outdoor	IP66
ONVIF/PSIA Compliant	✓
Warranty	3-Year

+ Optional Component

## CAMERA

<b>Image Sensor:</b>	12 $\mu$ m Uncooled Sun-Safe Vanadium Oxide Microbolometer
<b>Spectral Response:</b>	7.8 ~ 14 $\mu$ m
<b>Lens</b>	<b>VX-VT-20:</b> 6.8mm Fixed <b>VX-VT-36:</b> 4mm Fixed
<b>Range</b>	<b>VX-VT-20:</b> Detection: 350 Ft / 106.68 M Recognition: 250 Ft / 76.2 M Identification: 50 Ft / 15.24 M <b>VX-VT-36:</b> Detection: 250 Ft / 76.2 M Recognition: 150 Ft / 45.72 M Identification: 50 Ft / 15.24 M
<b>Day/Night:</b>	Thermal
<b>Remote Focus:</b>	No
<b>Angle of View:</b>	20° or 36° (depending on model)
<b>Detection Temperature Range:</b>	-40°C ~ 330°C (-40°F ~ 626°F)

## COMPRESSION STANDARD

<b>Video Compression:</b>	H.264, MJPEG
<b>Dual Streams:</b>	Yes

## IMAGE

<b>Array Size:</b>	206x156
<b>Frame Rate:</b>	7 fps (320 x 240)
<b>Image Orientation:</b>	Flip / Mirror / Corridor Mode (-90°, +90°)

## FUNCTIONS

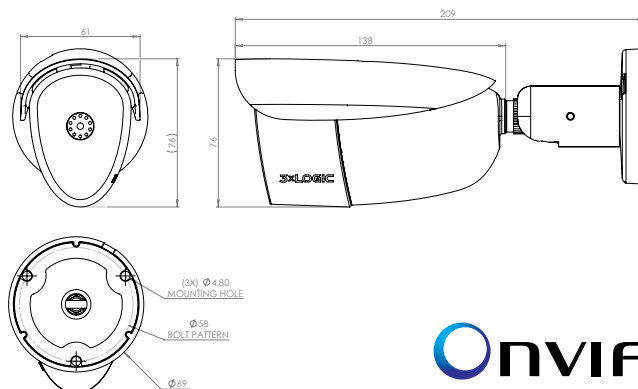
<b>Local Storage:</b>	Built-in Micro SD (SD/SDHC/SDXC) up to 8GB
<b>Security:</b>	Multi-level access with password protection
<b>Protocols:</b>	HTTP, Qos Layer 3 DiffServ, TCP/IP, HTTP, HTTPS, FTP, UDP/IP, RTSP, RTCP, RTP/UDP, RTP/TCP, mDNS, UPnP, SMTP, DHCP, DNS, DDNS, NTP, IPv4, SNMPv1/v2c/v3(MIB-II), IGMP, ICMP
<b>System Compatibility:</b>	ONVIF Profile S
<b>Product Support:</b>	Aimetis, Alnet, Artec, Avigilon, Digi-IT, Emstone, Exacq, Genetic, Getebruck, GVD, LuxRiot, Milestone, Mirasys, Nuuo, ONSSI, Seetec, SmartStation, Wavestore, Win4Net

## ELECTRICAL

<b>Power Supply:</b>	Power over Ethernet (IEEE 802.3af) 8.6W Max at DC12V
----------------------	---

## PHYSICAL

<b>Working Temperature:</b>	-40°C ~ 59°C (-40°F ~ 138°F) Humidity 85% max - non condensing
<b>Weather Protection:</b>	IP66
<b>Dimensions (inches):</b>	8.23 (L) in x 2.4 (W) in x 2.99 (H) in
<b>Dimensions (mm):</b>	209 (L) mm x 61 (W) x 76 (H) mm
<b>Weight:</b>	1.4 lb / 621 g



## INTERFACE

<b>Communication:</b>	1 RJ45 10M/100M Ethernet port
<b>Audio Input:</b>	1-channel microphone input, cable (mic-in/line-in)
<b>Audio Output:</b>	1-channel audio interface
<b>Alarm Input:</b>	1
<b>Alarm Output:</b>	2

## STANDARD ANALYTICS (INCLUDED)

- Detection Zones: Multi-segment Polygons and Lines
- On-screen Display: Real-time Display of Tracking
- Image Stabilization
- Change of Scene Detection

## ADVANCED ANALYTICS (OPTIONAL)

- Size-based Object Classification
- Detection Behavior; Direction, Stopping, Loitering
- Entering, Exiting, Appear and Disappear Filters
- Speed Filters

## WARRANTY

Three (3) Year Parts and In-house Labor Warranty

## PART NUMBERS

<b>VX-VT-20:</b>	20° FoV Exterior Thermal Bullet with Standard Analytics
<b>VX-VT-36:</b>	36° FoV Exterior Thermal Bullet with Standard Analytics
<b>-S</b>	VIGIL Server Stand-Alone Software License with 8GB SD Storage
<b>-AS</b>	Advanced Analytics License and Server Stand-Alone License
<b>-A</b>	Advanced Video Analytics

The Advanced Analytics and Stand-Alone Server features can easily be added to the camera after installation. Contact your 3xLOGIC Representative for details.

	Cloud Access	Cloud Maint.	Internal Storage	Mobile App	Analytics	QR Code	ONVIF
3xLOGIC	✓	✓	✓	✓	✓	✓	✓
Flir Mini Bullet							✓
Flir Bullet							✓
Axis			✓				✓

## Thermal Camera Cost-Benefit Analysis

